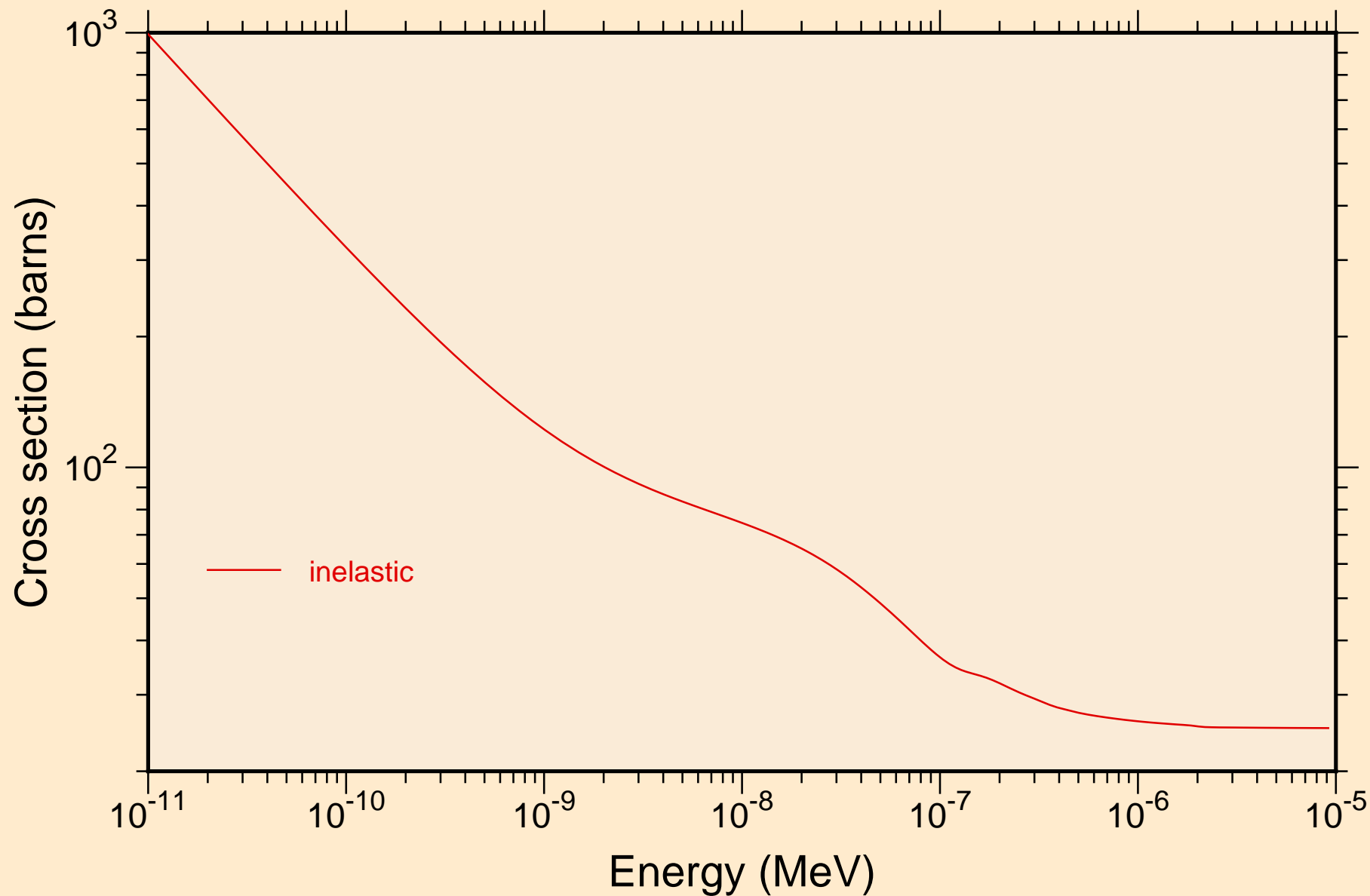


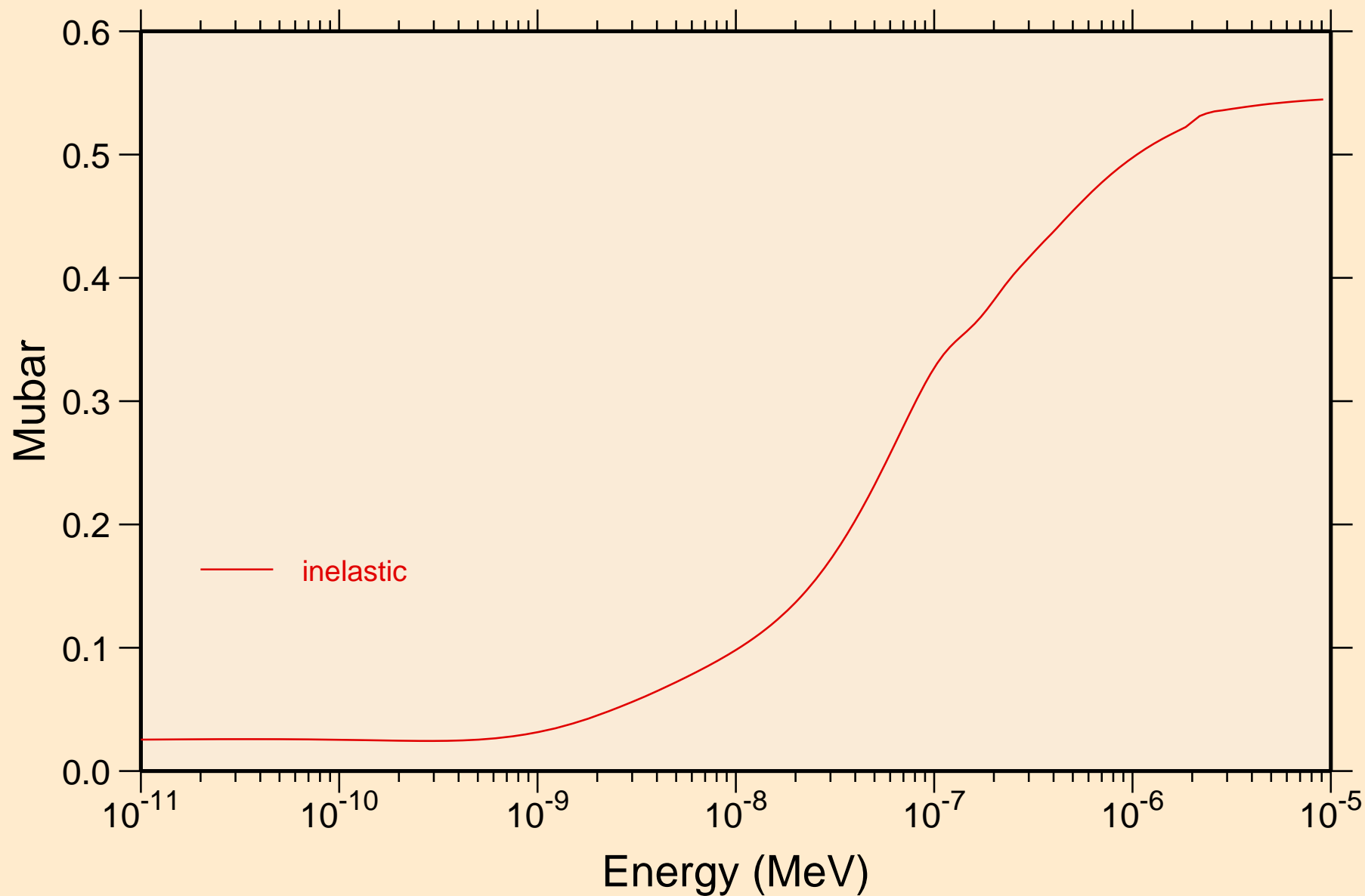
1-H-1 IN BENZENE AT 293.6K FROM ENDF/B-IV CONTINUOUS

Thermal cross sections

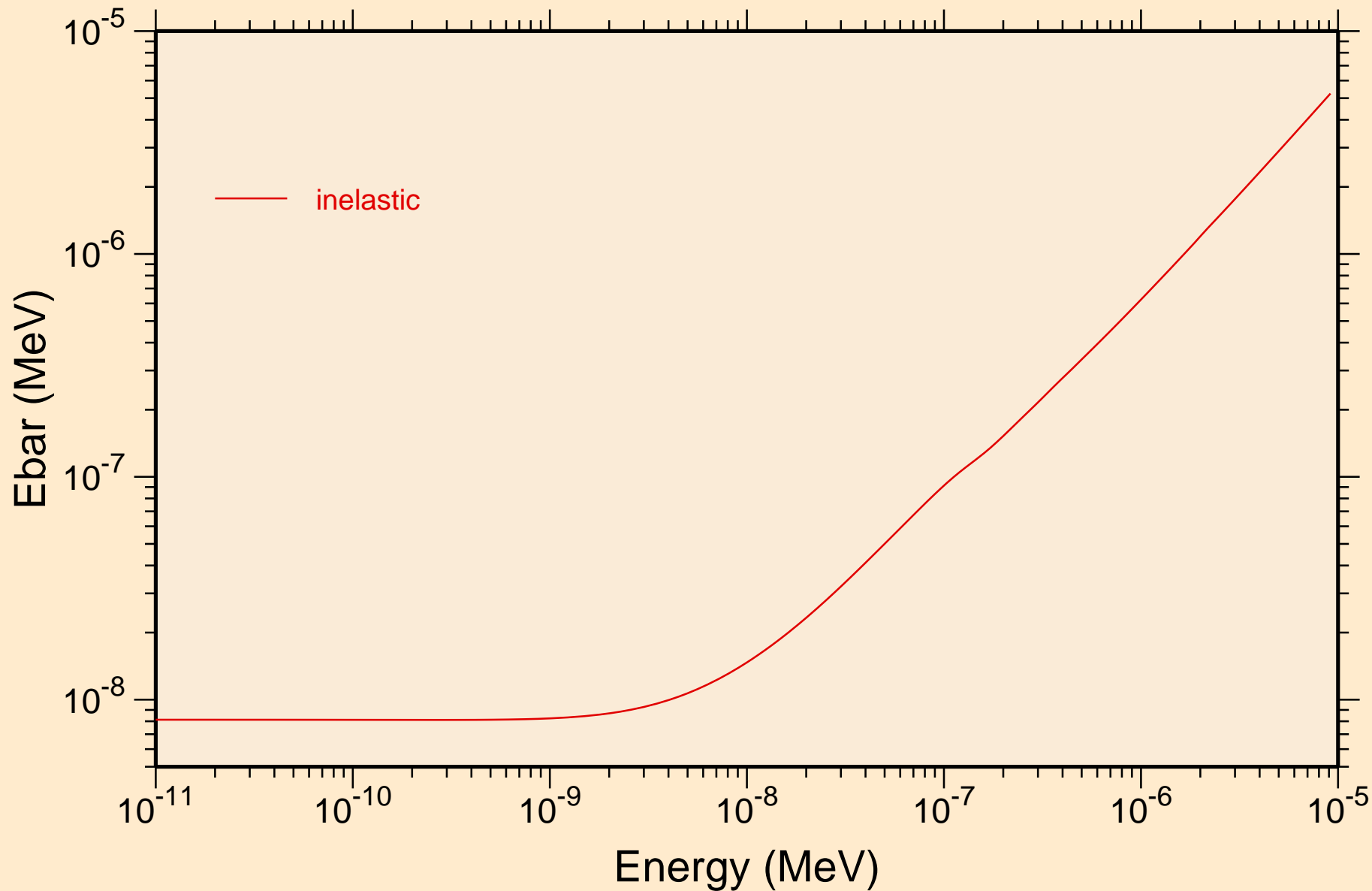


1-H-1 IN BENZENE AT 293.6K FROM ENDF/B-IV CONTINUOUS

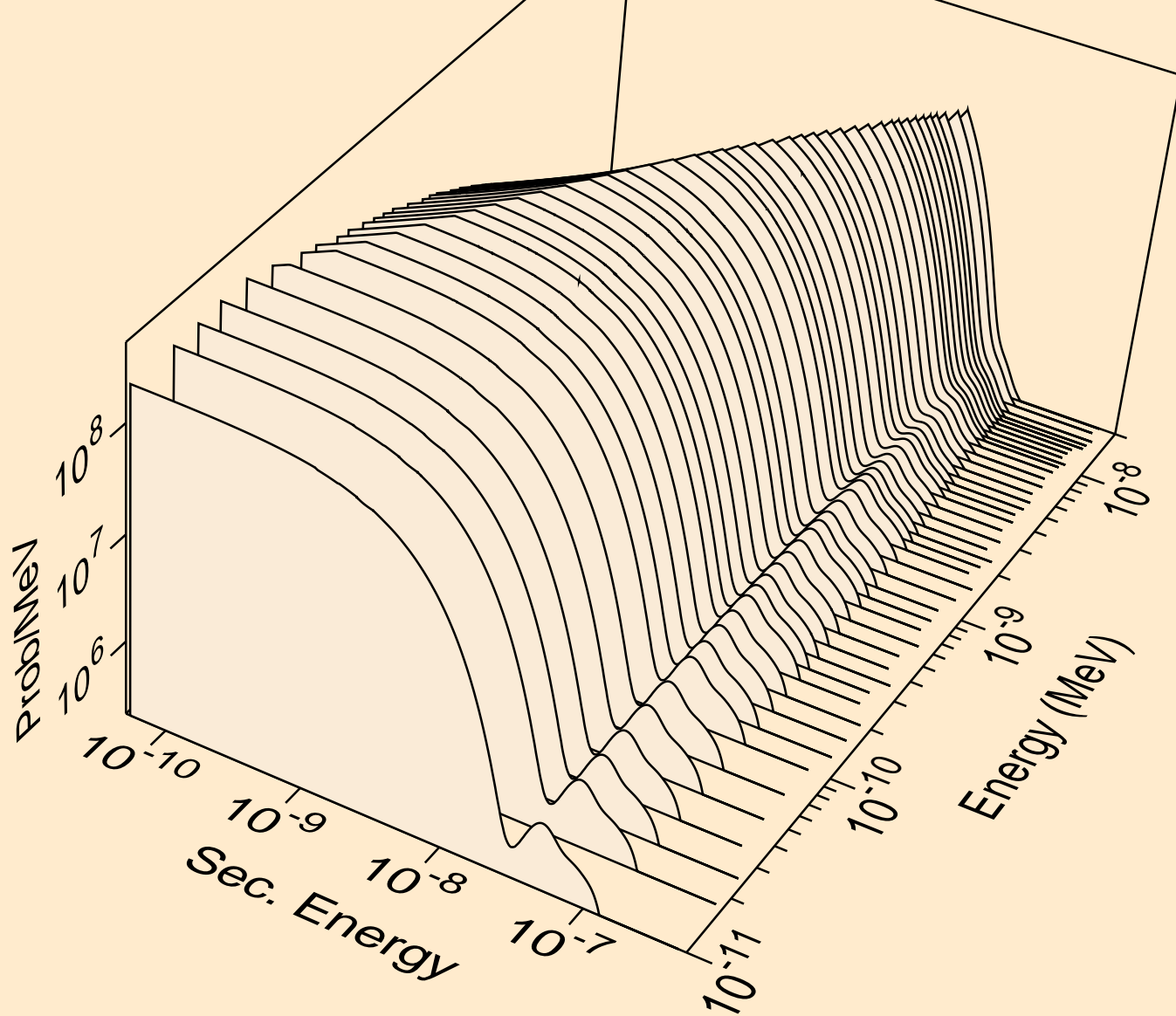
Thermal mubar



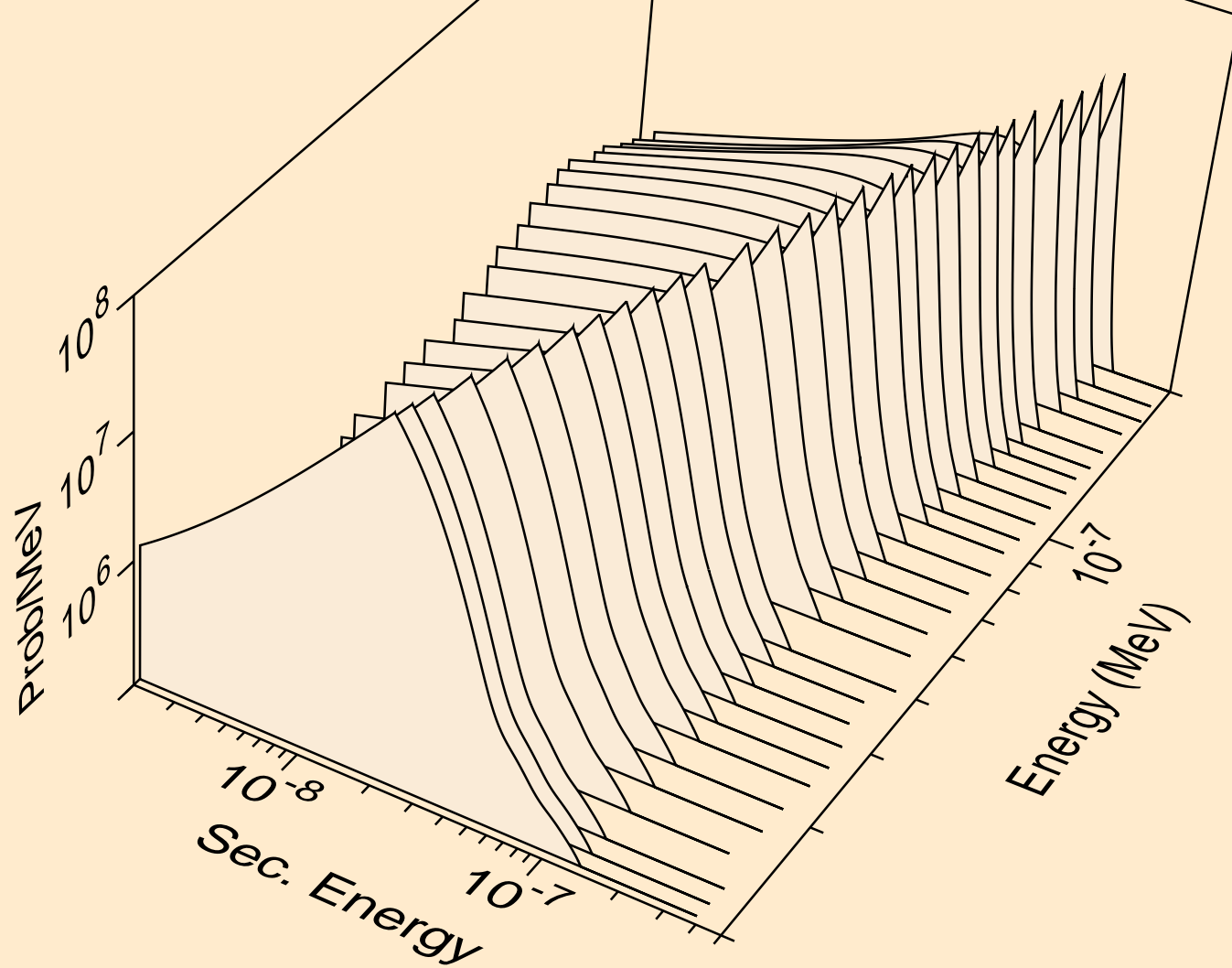
1-H-1 IN BENZENE AT 293.6K FROM ENDF/B-IV CONTINUOUS Thermal ebar



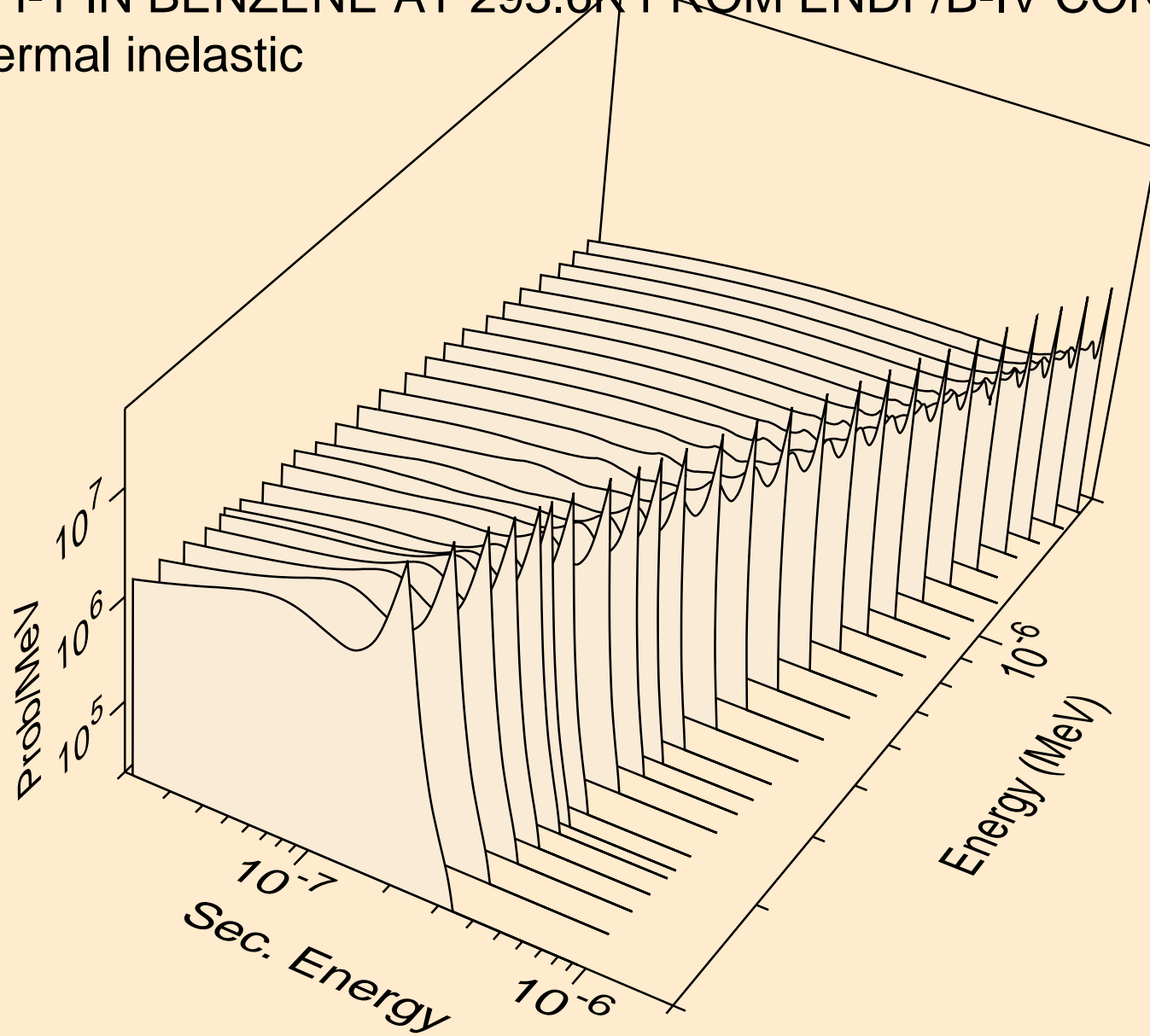
1-H-1 IN BENZENE AT 293.6K FROM ENDF/B-IV CONTINUOUS
thermal inelastic



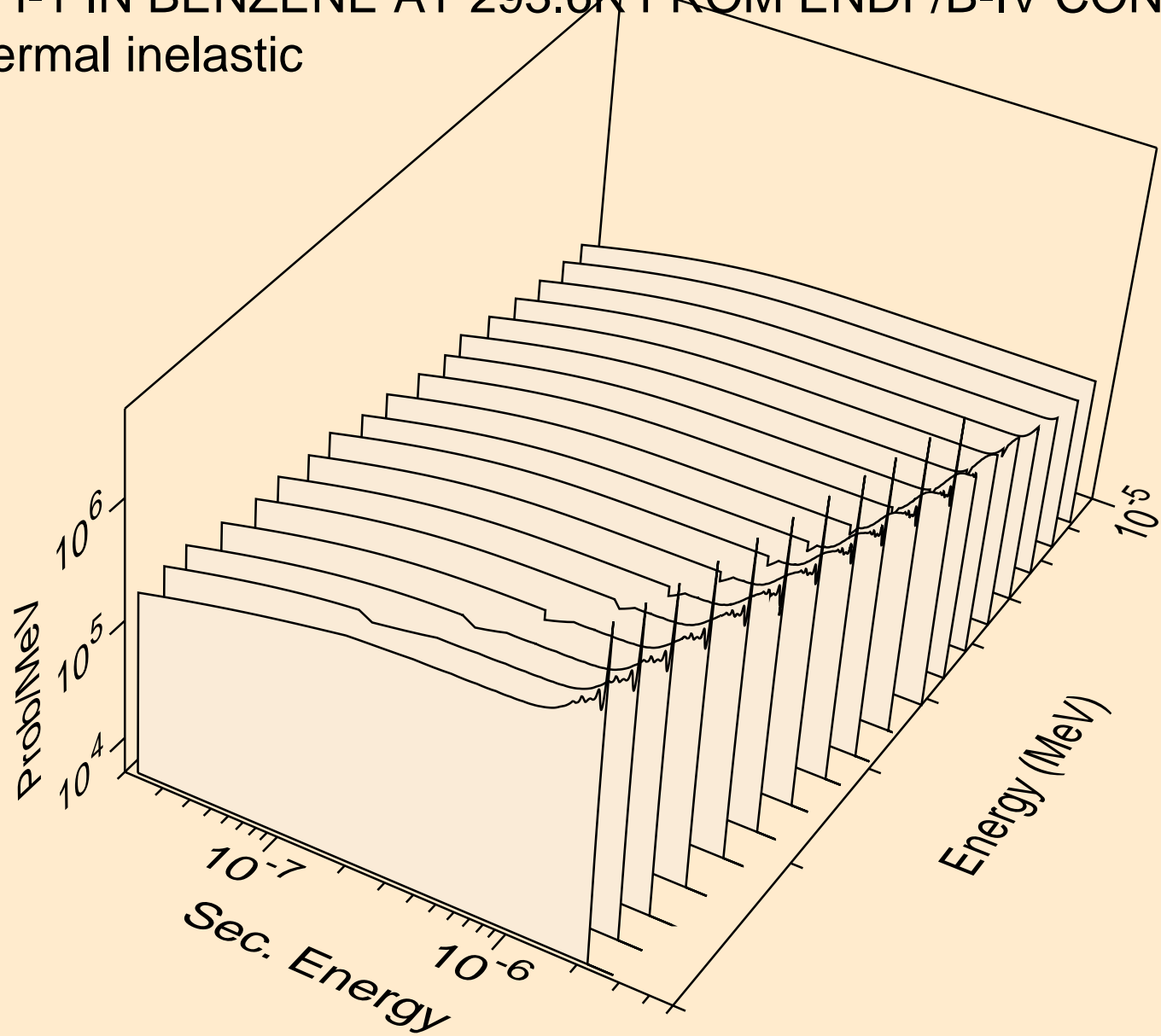
1-H-1 IN BENZENE AT 293.6K FROM ENDF/B-IV CONTINUOUS
thermal inelastic



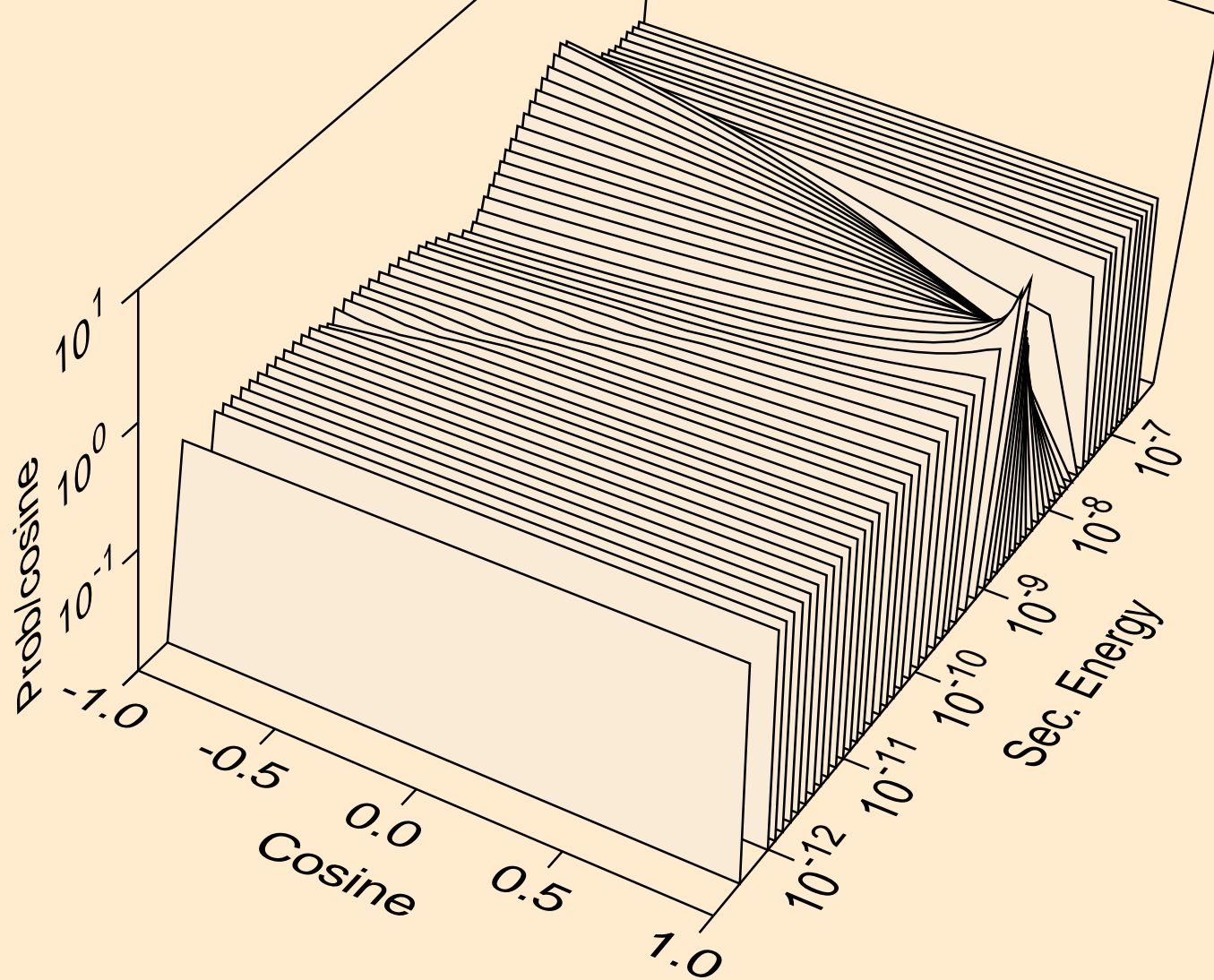
1-H-1 IN BENZENE AT 293.6K FROM ENDF/B-IV CONTINUOUS
thermal inelastic



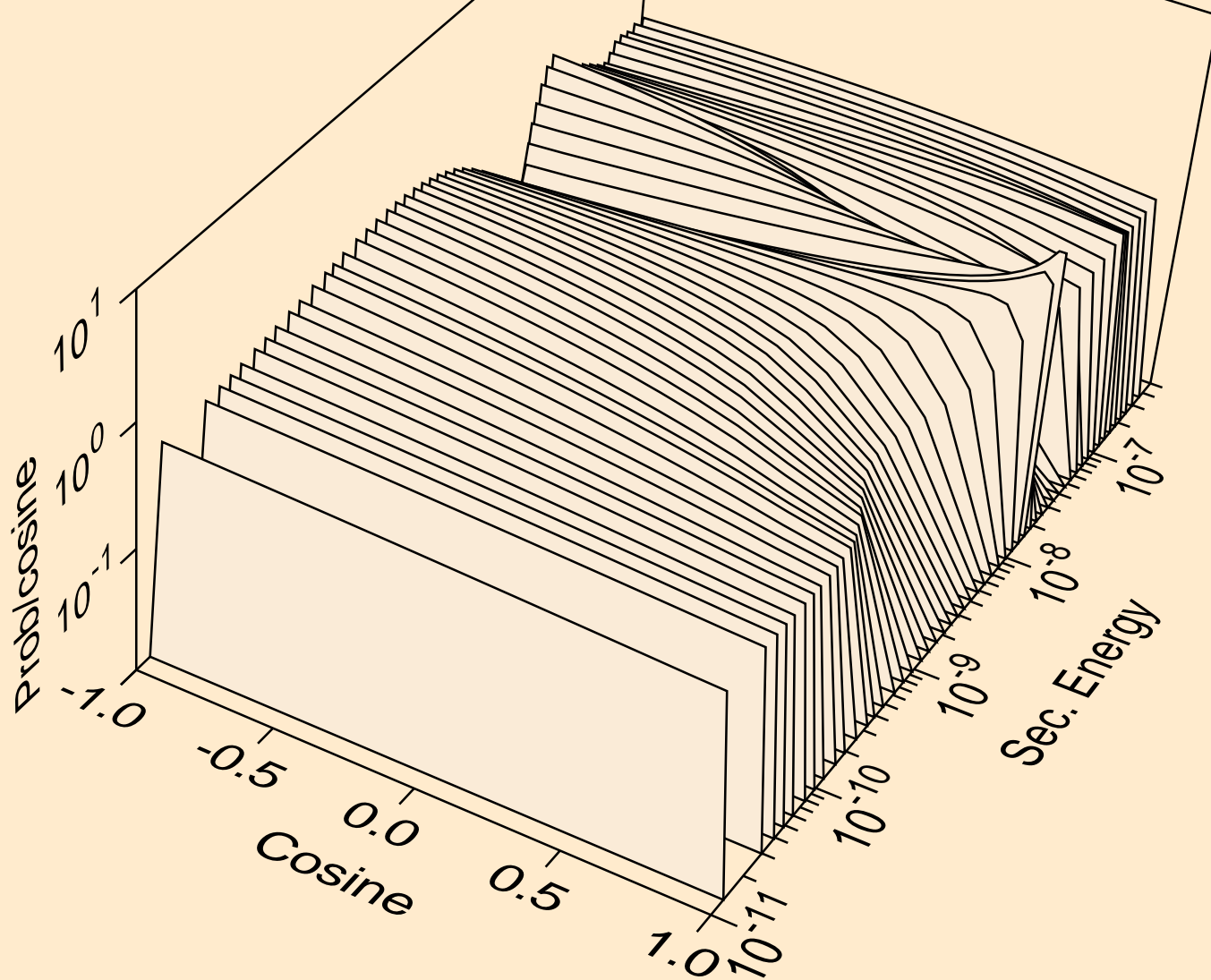
1-H-1 IN BENZENE AT 293.6K FROM ENDF/B-IV CONTINUOUS
thermal inelastic



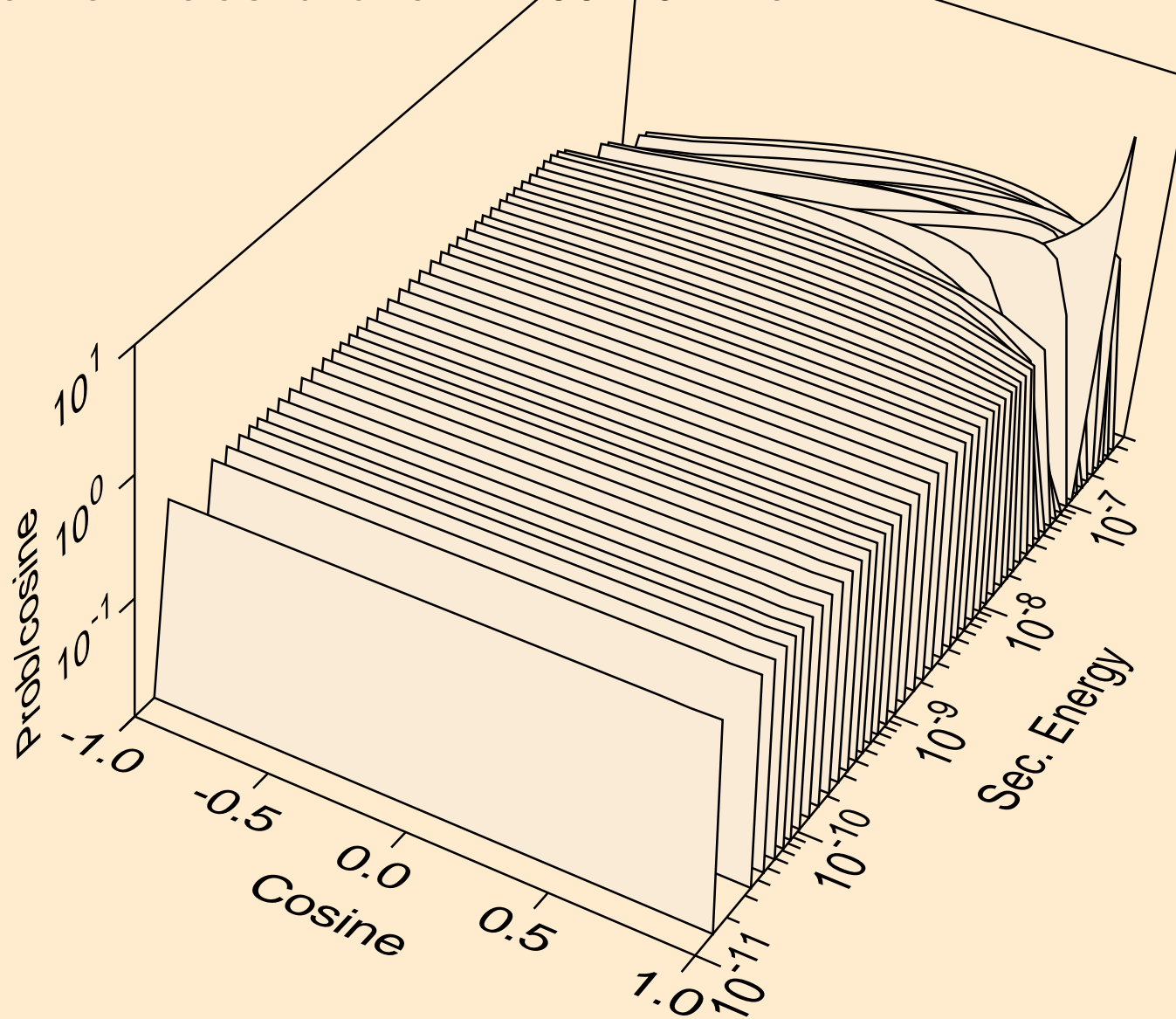
1-H-1 IN BENZENE AT 293.6K FROM ENDF/B-IV CONTINUOUS
thermal inelastic for $e = 1.012E-09$ MeV



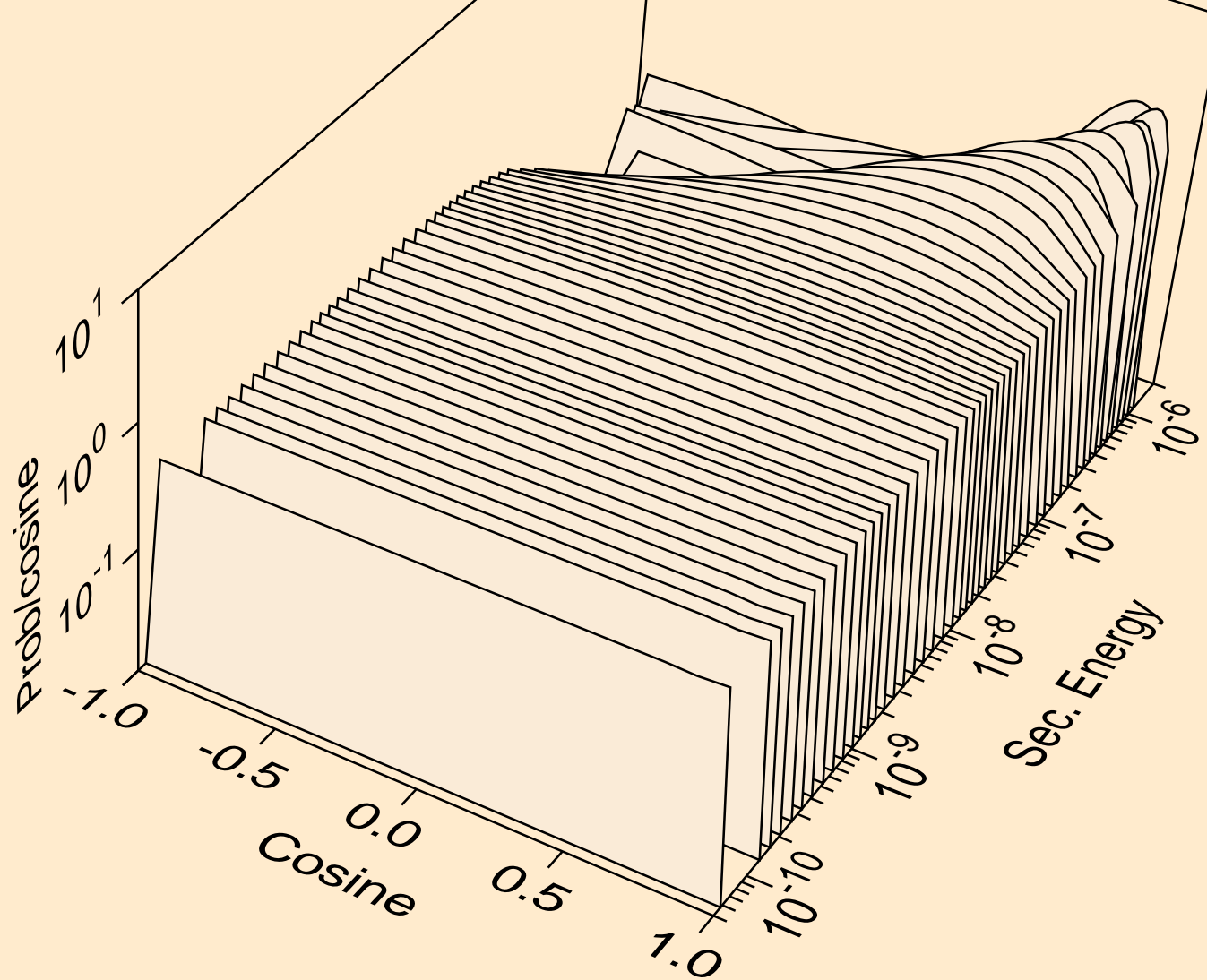
1-H-1 IN BENZENE AT 293.6K FROM ENDF/B-IV CONTINUOUS
thermal inelastic for $e = 1.619 \times 10^{-8}$ MeV



1-H-1 IN BENZENE AT 293.6K FROM ENDF/B-IV CONTINUOUS
thermal inelastic for $e = 1.200E-07$ MeV



1-H-1 IN BENZENE AT 293.6K FROM ENDF/B-IV CONTINUOUS
thermal inelastic for $e = 9.500E-07$ MeV



1-H-1 IN BENZENE AT 293.6K FROM ENDF/B-IV CONTINUOUS
thermal inelastic for $e = 8.400E-06$ MeV

