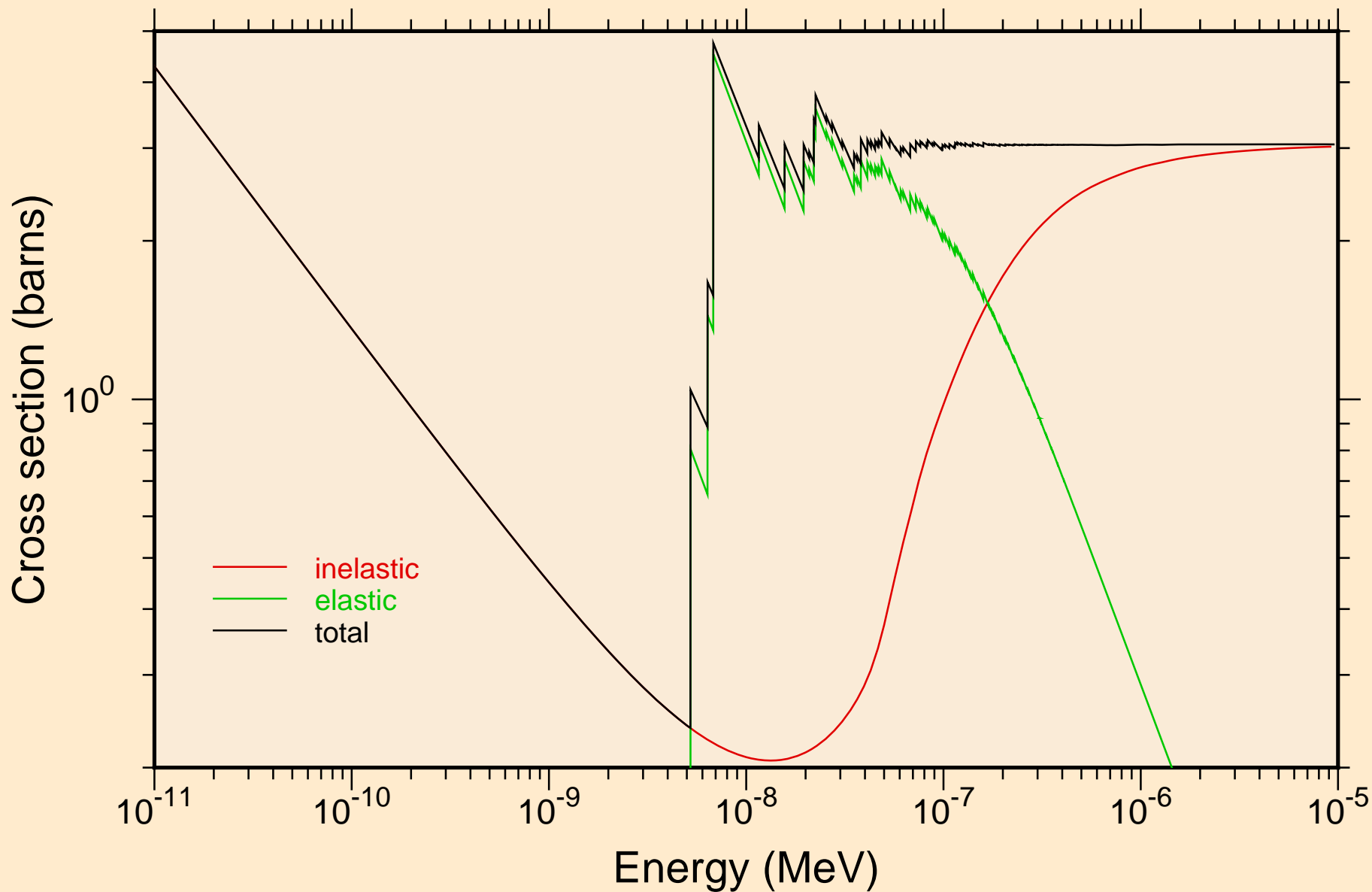


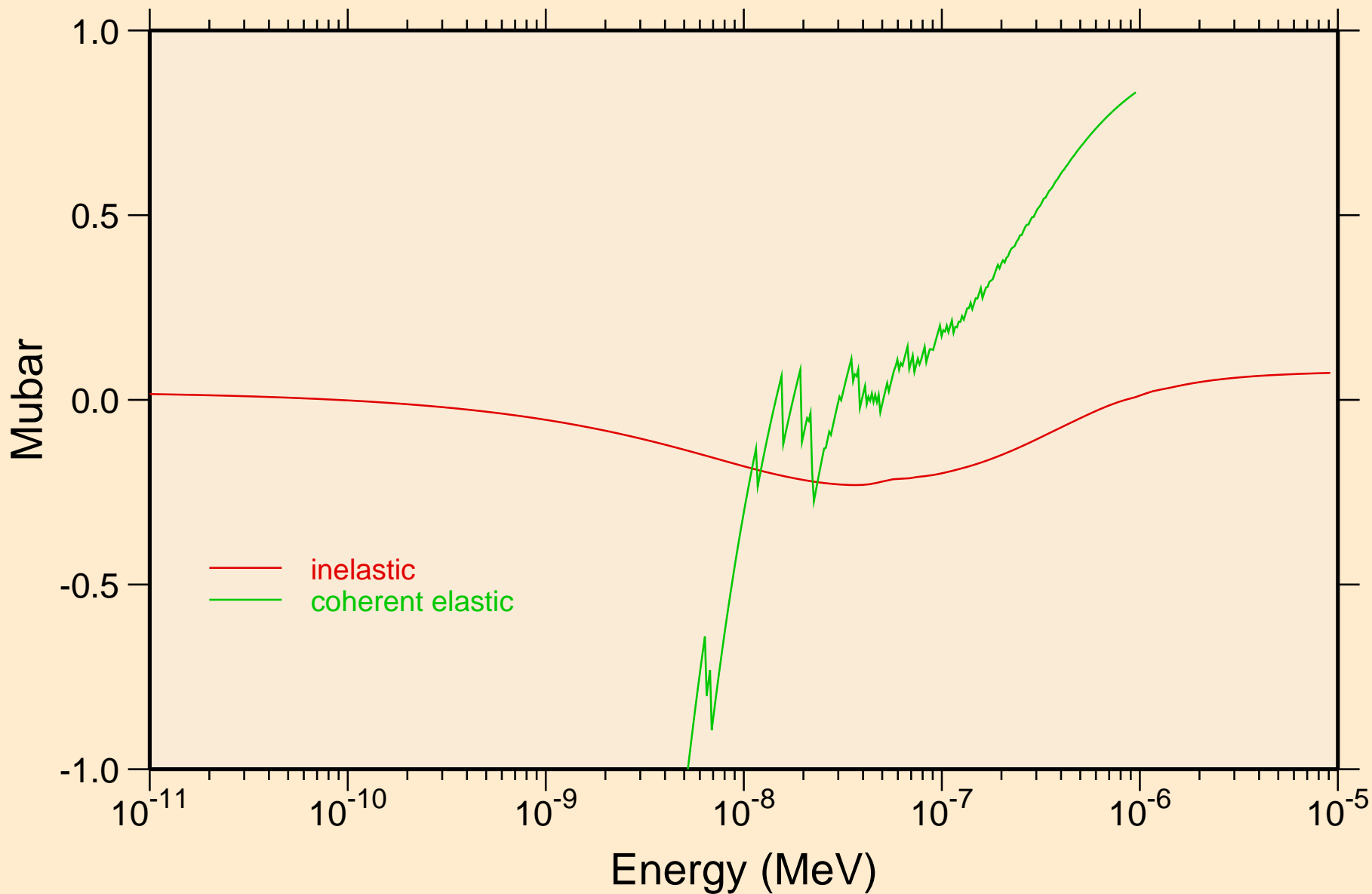
# BE METAL AT 293.6K FROM ENDF/B-IV CONTINUOUS

## Thermal cross sections



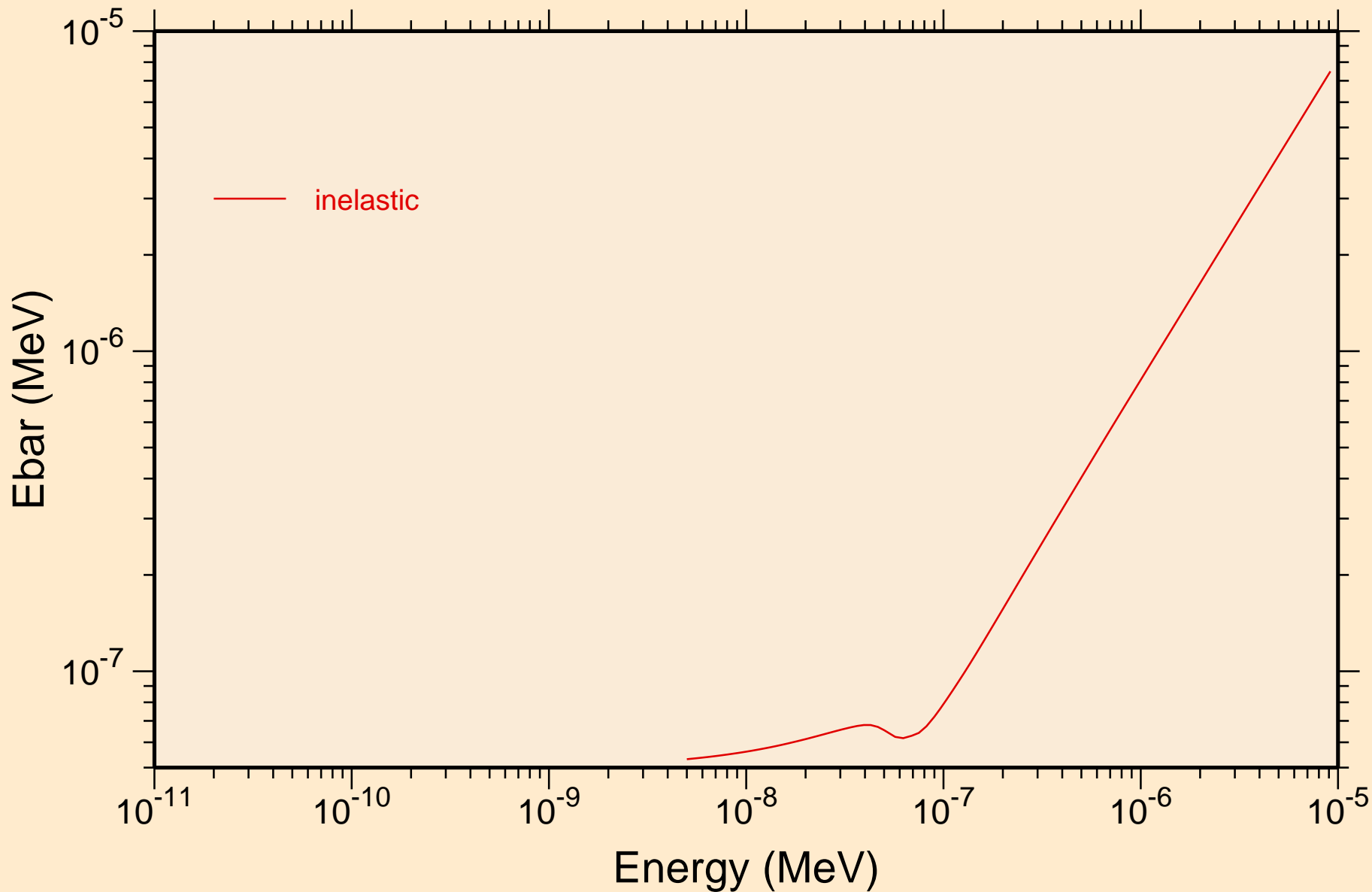
# BE METAL AT 293.6K FROM ENDF/B-IV CONTINUOUS

Thermal mubar

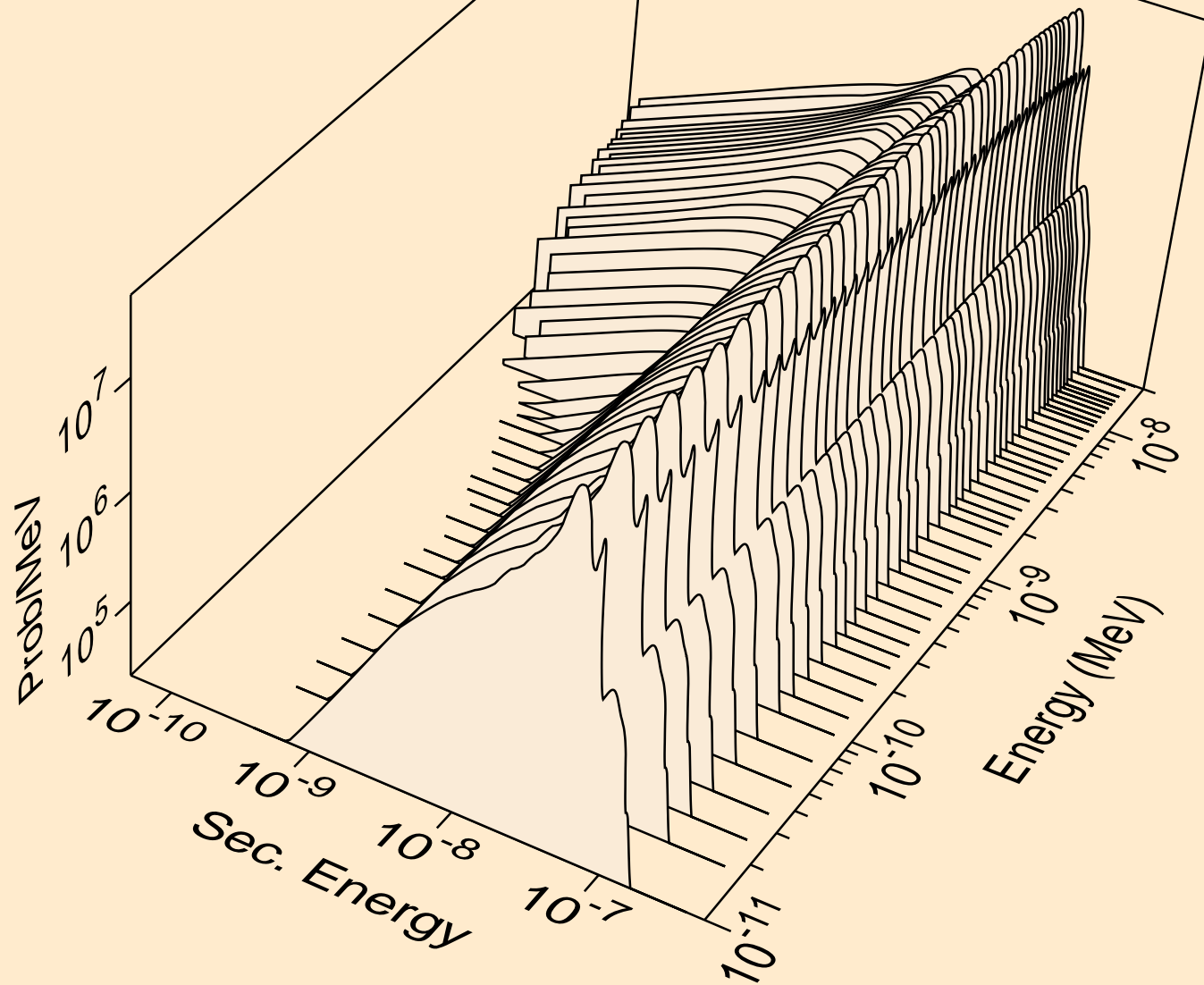


# BE METAL AT 293.6K FROM ENDF/B-IV CONTINUOUS

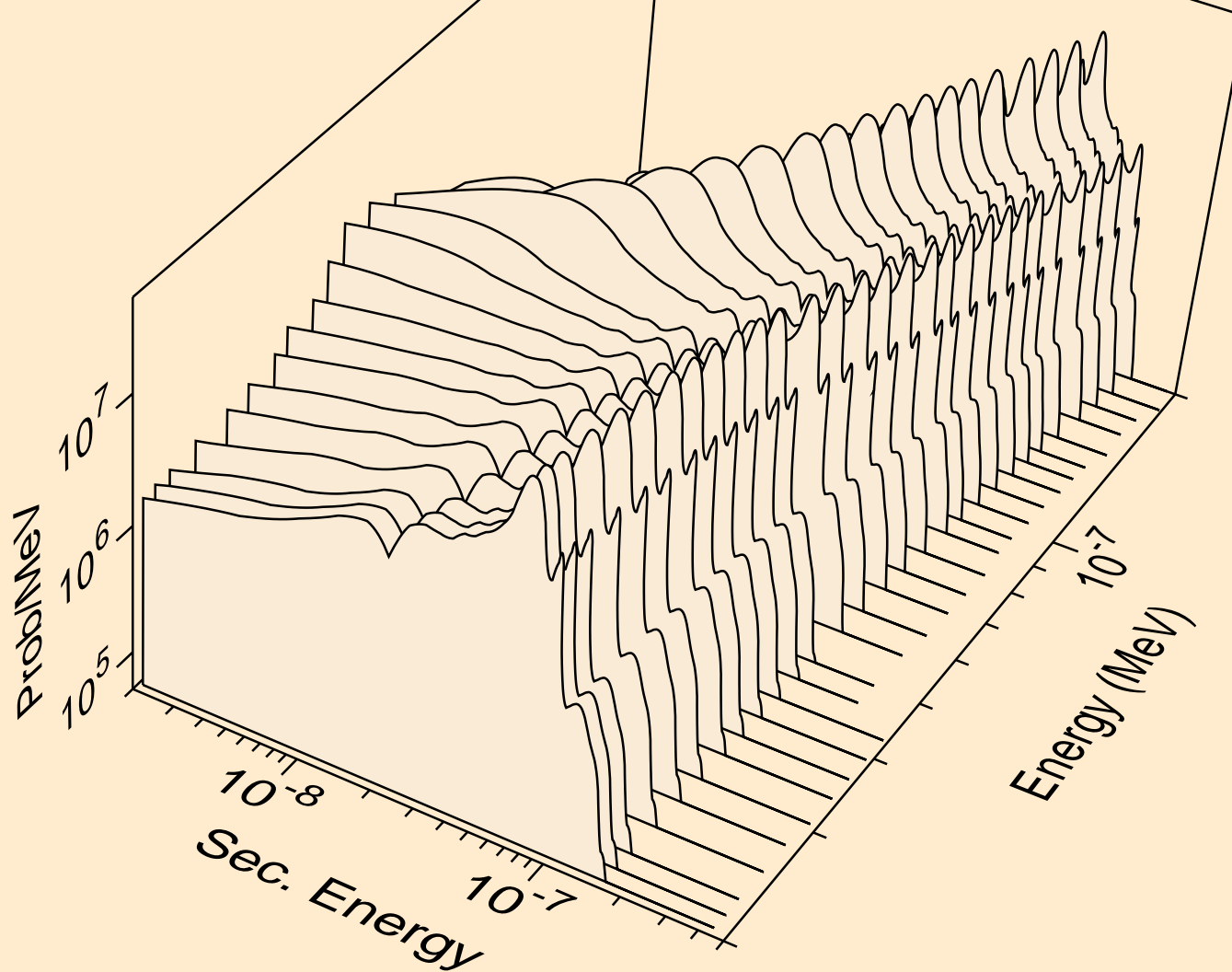
## Thermal ebar



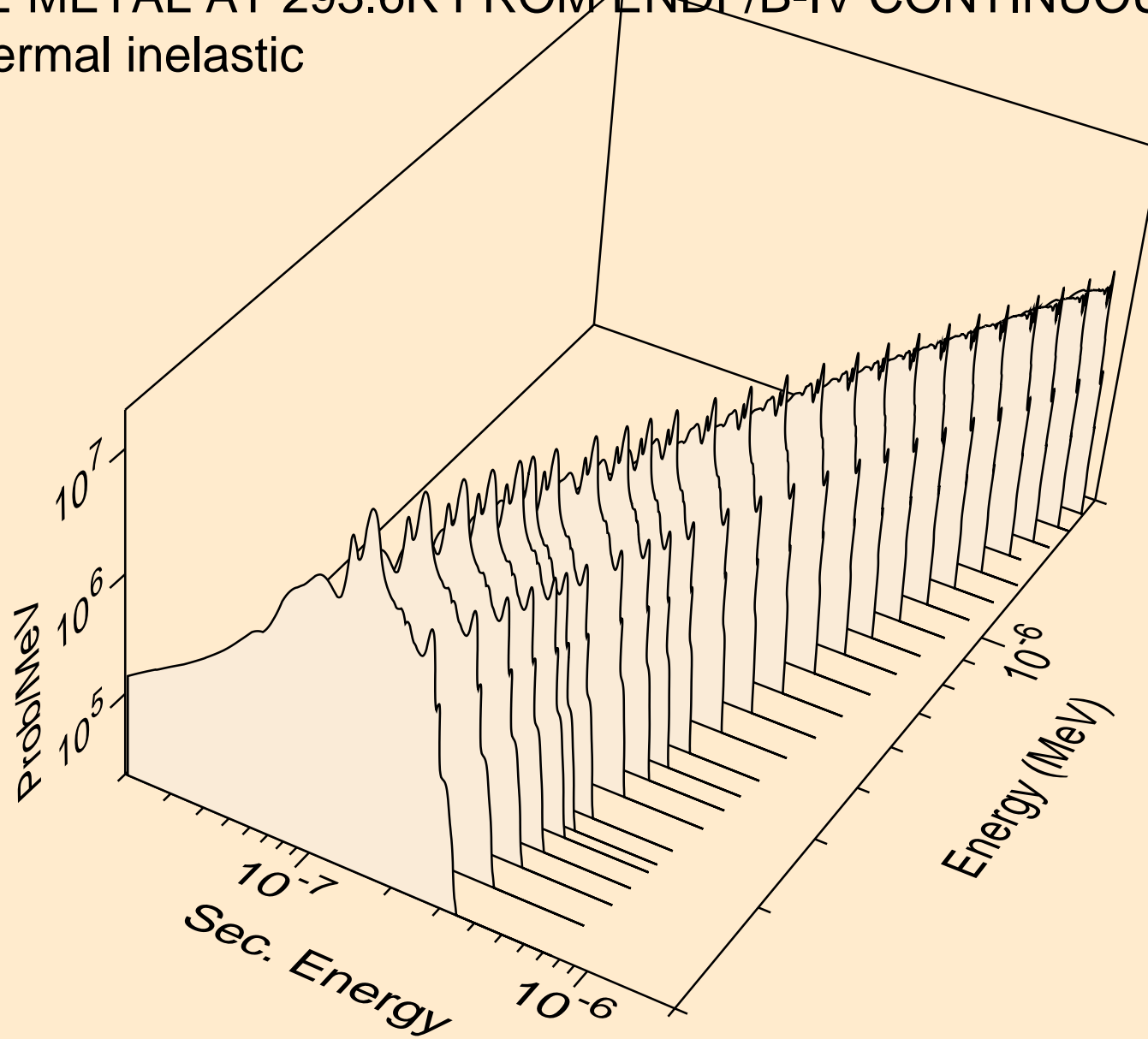
BE METAL AT 293.6K FROM ENDF/B-IV CONTINUOUS  
thermal inelastic



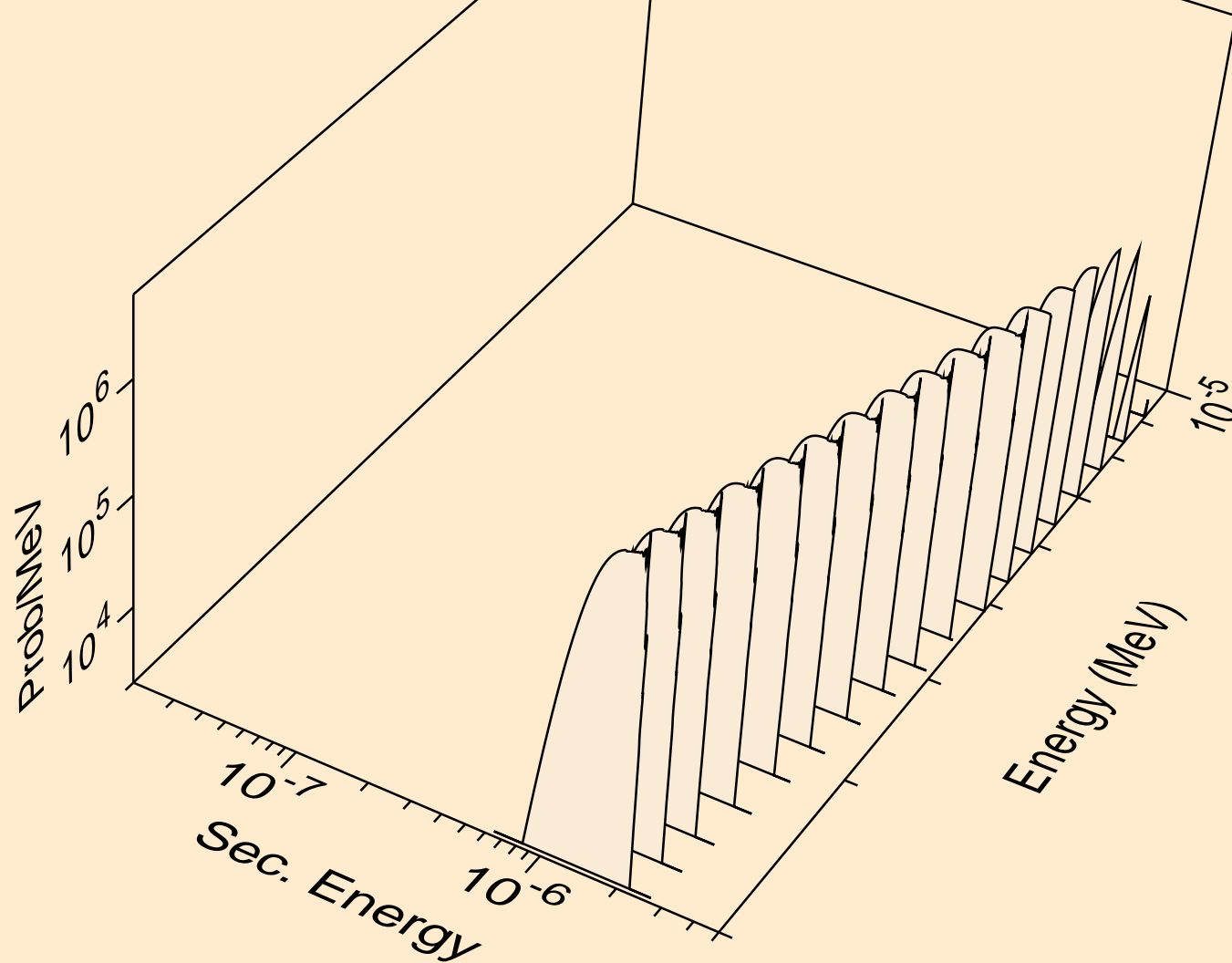
BE METAL AT 293.6K FROM ENDF/B-IV CONTINUOUS  
thermal inelastic



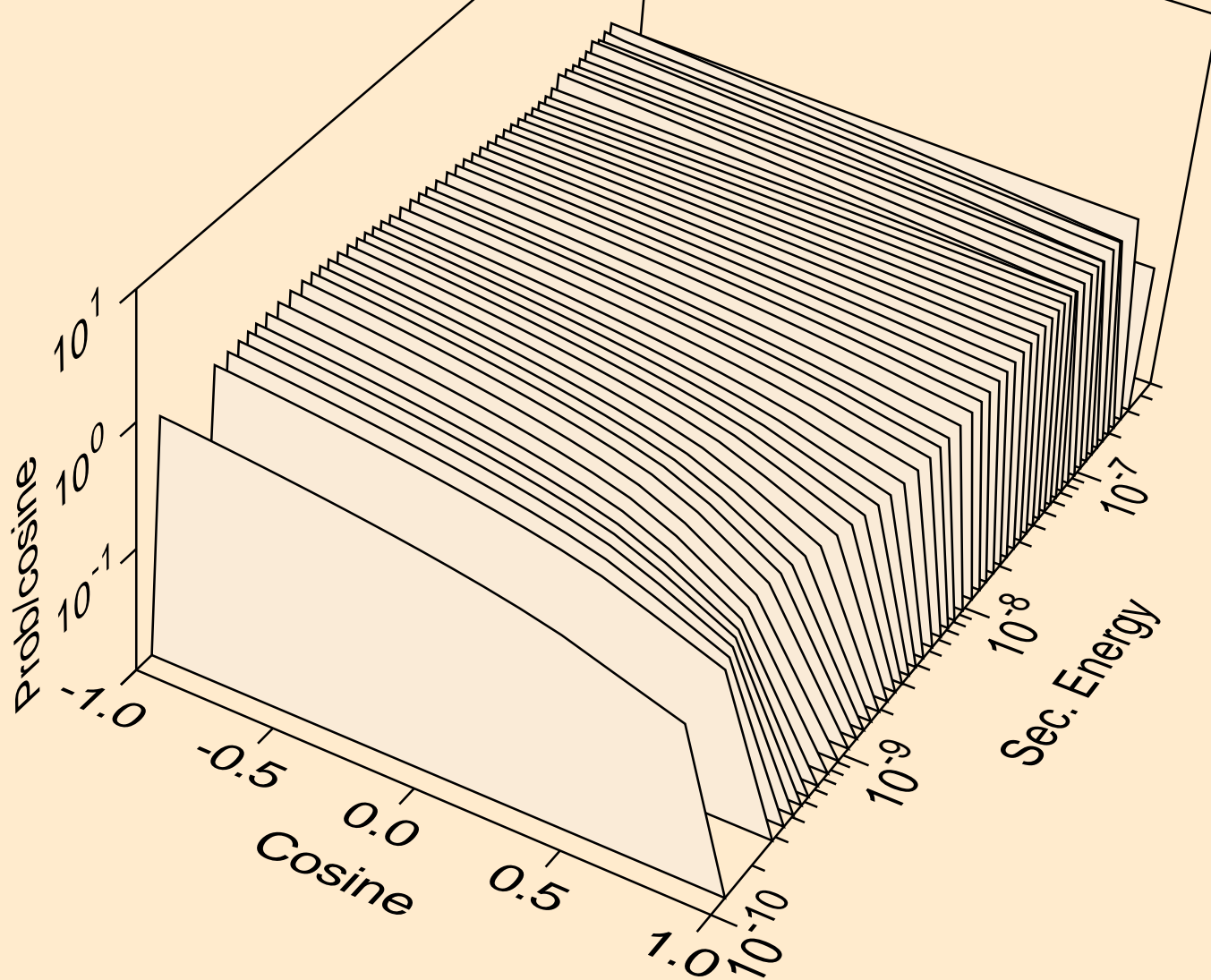
BE METAL AT 293.6K FROM ENDF/B-IV CONTINUOUS  
thermal inelastic



BE METAL AT 293.6K FROM ENDF/B-IV CONTINUOUS  
thermal inelastic

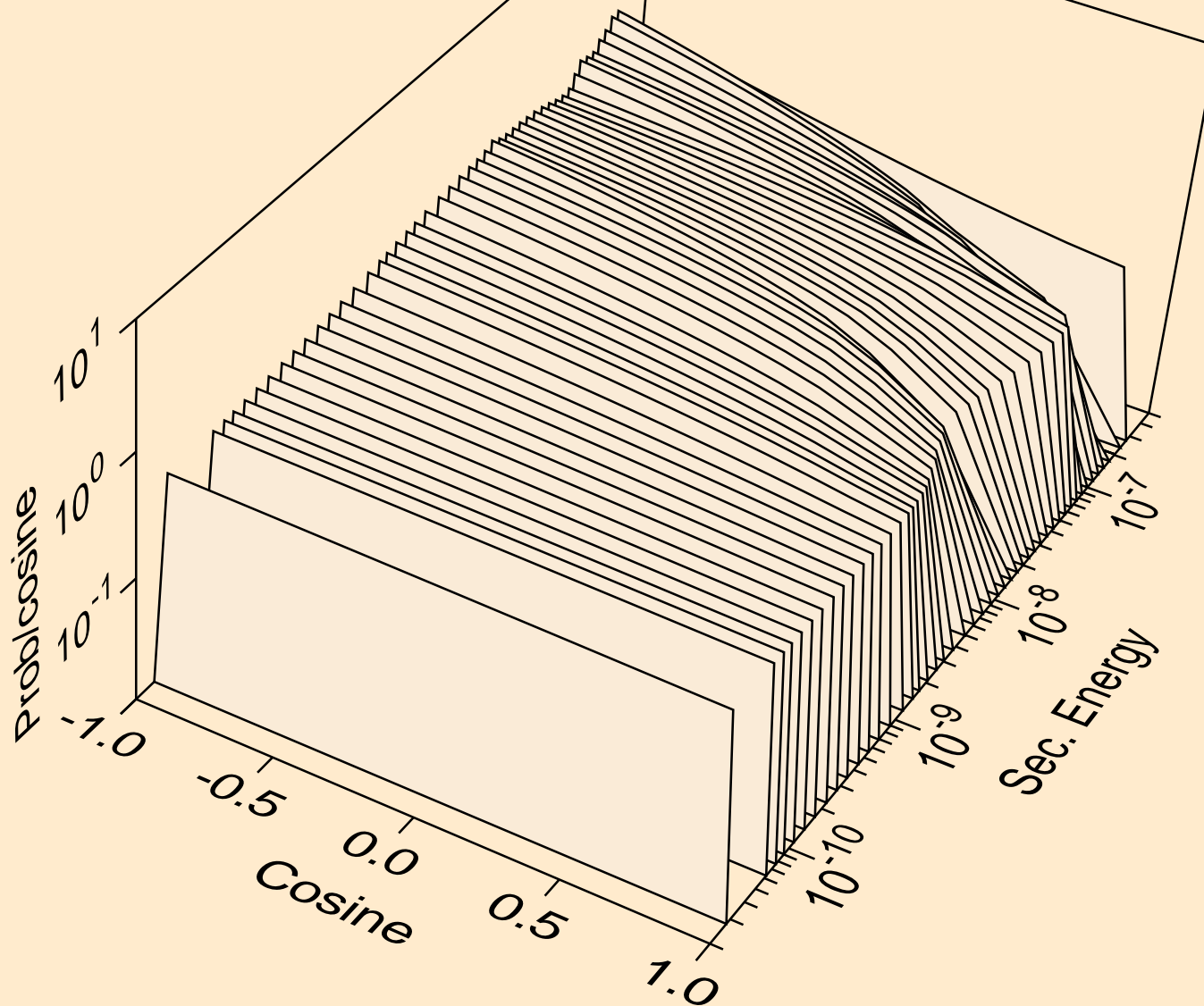


BE METAL AT 293.6K FROM ENDF/B-IV CONTINUOUS  
thermal inelastic for  $e = 1.012E-09$  MeV

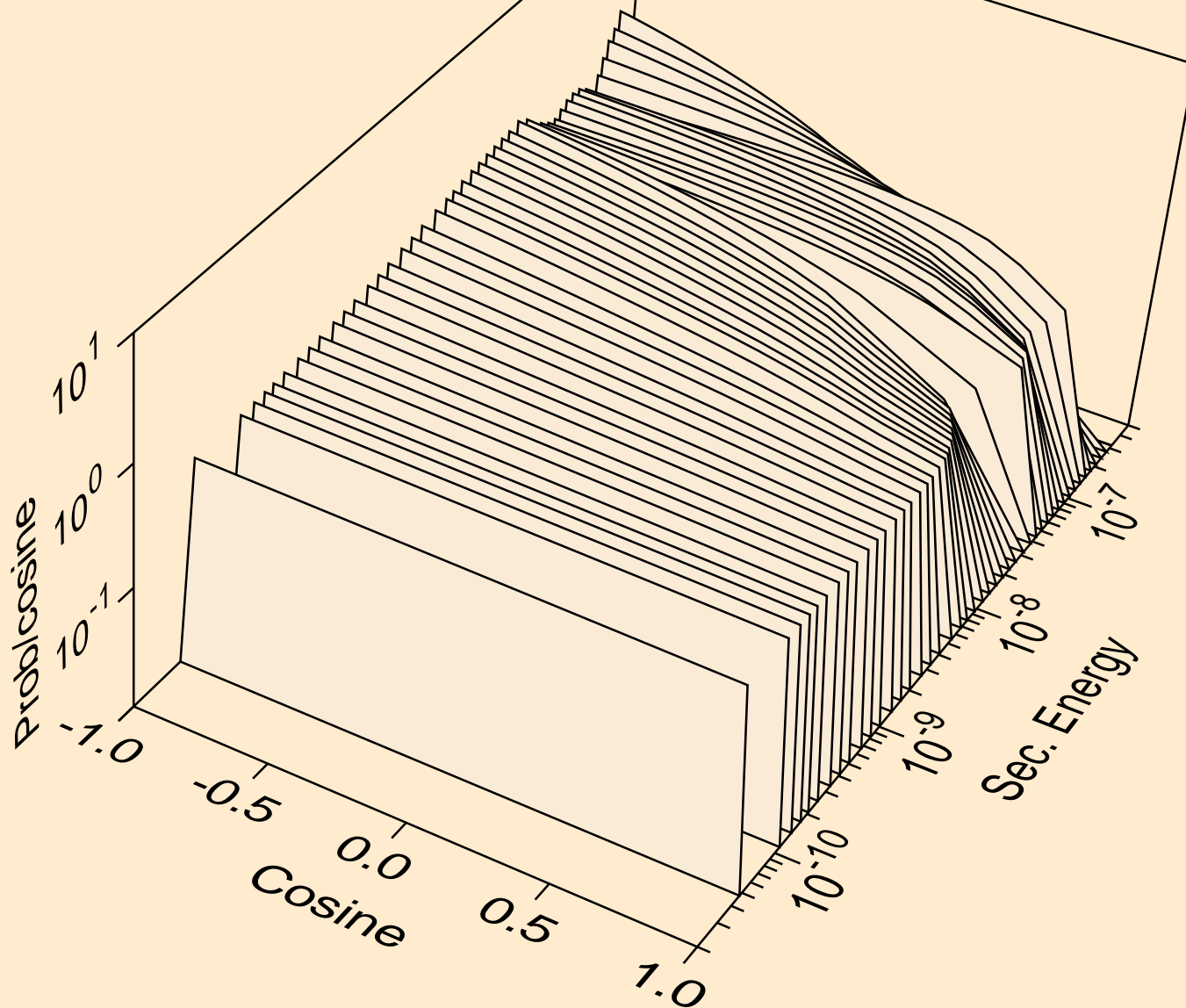




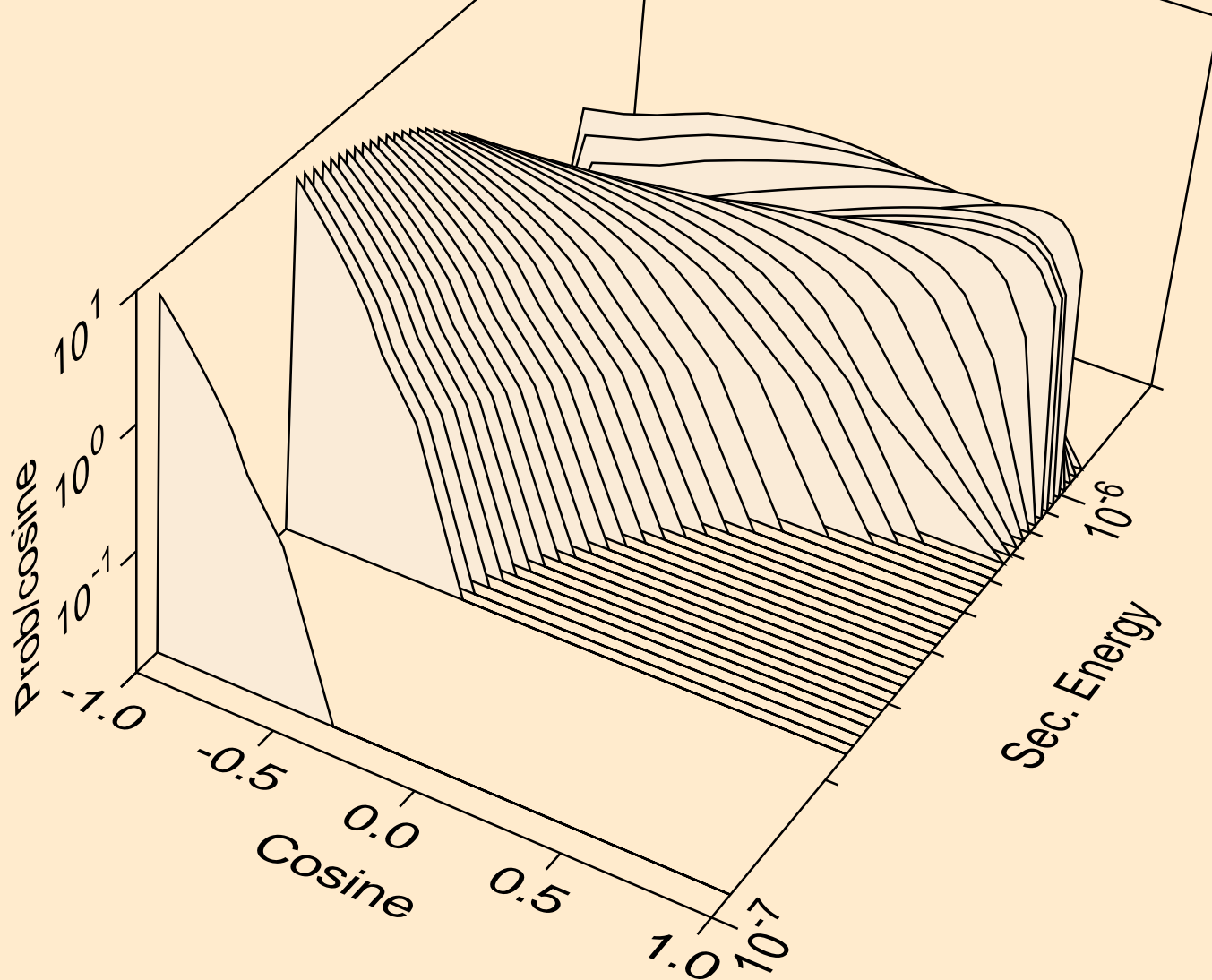
BE METAL AT 293.6K FROM ENDF/B-IV CONTINUOUS  
thermal inelastic for  $e = 1.619 \times 10^{-8}$  MeV



BE METAL AT 293.6K FROM ENDF/B-IV CONTINUOUS  
thermal inelastic for  $e = 1.200E-07$  MeV



BE METAL AT 293.6K FROM ENDF/B-IV CONTINUOUS  
thermal inelastic for  $e = 9.500E-07$  MeV



BE METAL AT 293.6K FROM ENDF/B-IV CONTINUOUS  
thermal inelastic for  $e = 8.400E-06$  MeV

